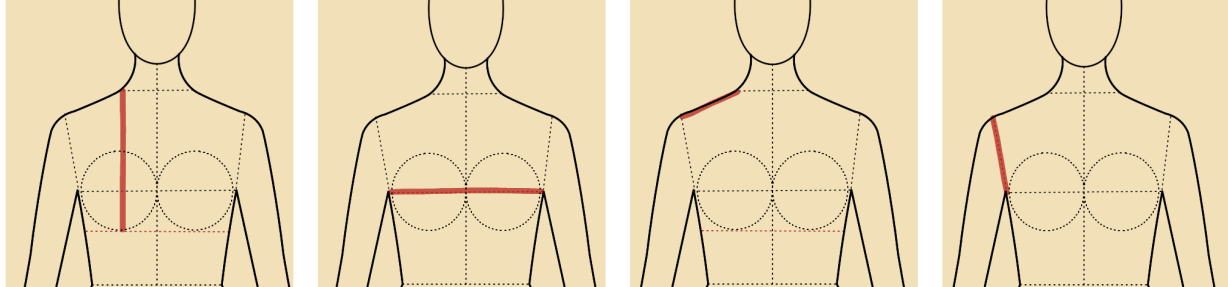


Cult Gaia-inspired Top

Body measurements



A

B

C

D

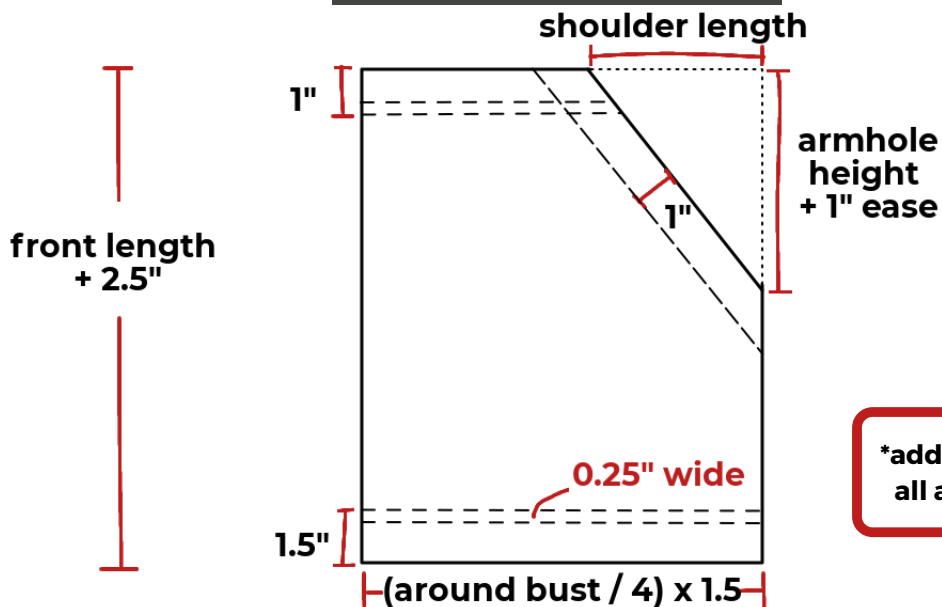
A: Front length (from neck to underbust)

B: Around fullest part of bust

C: Shoulder length

D: Armhole height

Drafting plan



*add 5/8" seam allowance all around after drafting

Scan to watch the drafting and sewing process

GWENSTELLAMADE.COM

